

Two-way connector clamps

Aluminium

SPECIFICATION

Identification No.

No. **2**: with 2 Stainless Steel-Clamping screws DIN 912

Aluminium

plastic coated

black, RAL 9005, textured finish **SW**

blank

matt shot-blasted **BL**

Clamping bores mechanically machined

Socket cap screw DIN 912

Stainless Steel AISI 304

Hexagon nuts DIN 985

Stainless Steel AISI 304



INFORMATION

The clamping bores of GN 132 two-way connector clamps are mechanically machined and designed for construction tubes GN 990 (see page 1902) or DIN 2391, DIN 2395 and DIN 2462 respectively.

The standard version of the clamping screws are socket cap screws with hexagonal socket DIN 912. They can be replaced by clamping kits GN 911 (see page 1874) (article code see table of dimensions).

TECHNICAL INFORMATION

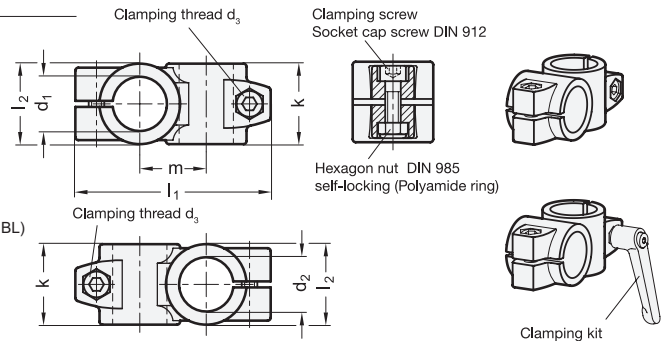
- Stainless Steel characteristics (see page A26)

ACCESSORY

- Clamping kits GN 911 (see page 1874)

ON REQUEST

- Stainless Steel characteristics (see page A26)



* Complete with colour index of the Two-way connector clamps (SW or BL)

SW	BL
RAL9005	blank

GN 132

Description	d1	d2	k	d3	l1	l2	m	Clamping kits for d3	△
GN 132-B20-B20-40-2-*	B 20	B 20	40	M 8	97	40	33	GN 911-M8-32	245
GN 132-B25-B25-40-2-*	B 25	B 25	40	M 8	97	40	33	GN 911-M8-32	220
GN 132-B30-B30-40-2-*	B 30	B 30	40	M 8	97	40	33	GN 911-M8-32	150
GN 132-B30-B30-56-2-*	B 30	B 30	56	M 10	125	56	45	GN 911-M10-40	600
GN 132-B32-B32-56-2-*	B 32	B 32	56	M 10	125	56	45	GN 911-M10-40	620
GN 132-B35-B35-56-2-*	B 35	B 35	56	M 10	125	56	45	GN 911-M10-40	580
GN 132-B40-B40-56-2-*	B 40	B 40	56	M 10	125	56	45	GN 911-M10-40	500
GN 132-B40-B40-65-2-*	B 40	B 40	65	M 10	143	65	53	GN 911-M10-55	890
GN 132-B42-B42-65-2-*	B 42	B 42	65	M 10	143	65	53	GN 911-M10-55	780
GN 132-B45-B45-65-2-*	B 45	B 45	65	M 10	143	65	53	GN 911-M10-55	720
GN 132-B48-B48-65-2-*	B 48	B 48	65	M 10	143	65	53	GN 911-M10-55	700
GN 132-B50-B50-65-2-*	B 50	B 50	65	M 10	143	65	53	GN 911-M10-55	610
GN 132-B50-B50-80-2-*	B 50	B 50	80	M 10	169	80	65	GN 911-M10-55	1460
GN 132-B60-B60-80-2-*	B 60	B 60	80	M 10	169	80	65	GN 911-M10-55	1060

Weight BL